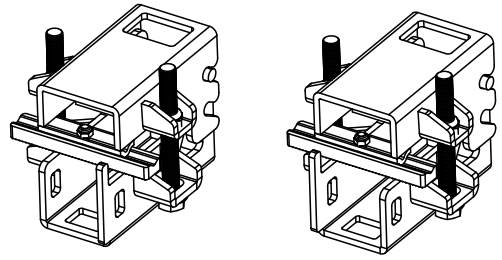
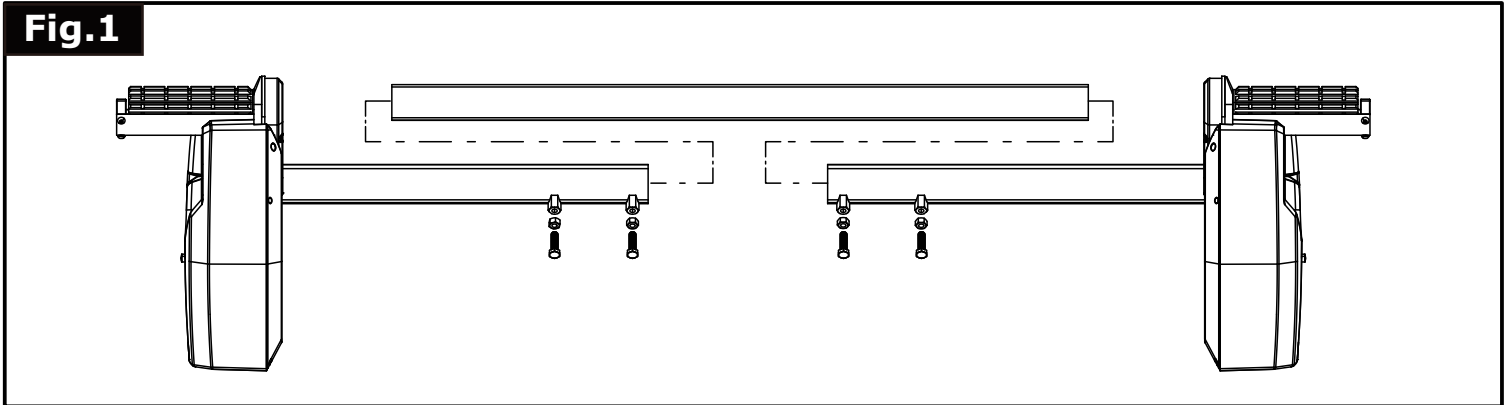


## EM Montageklem Installatie Handleiding

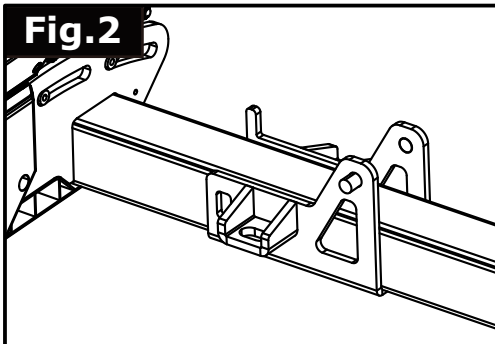


- Minimale dikte (afmetingen) toegestaan voor het chassis: 2,5 mm

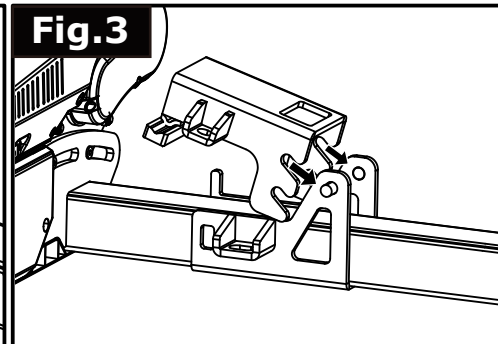
**Fig.1**



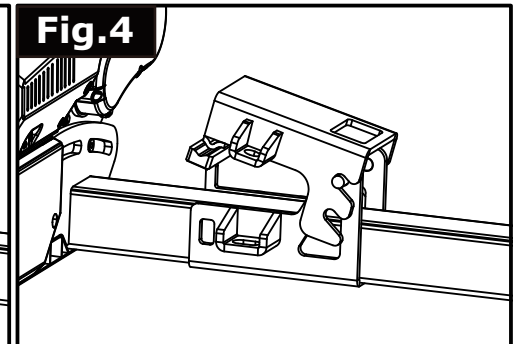
**Fig.2**



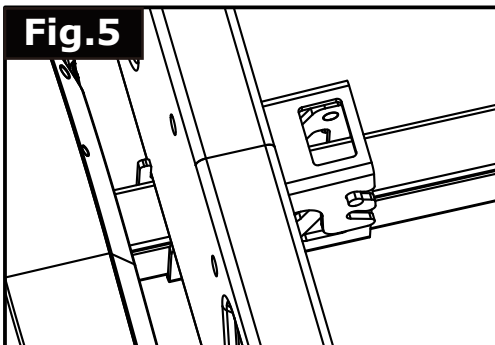
**Fig.3**



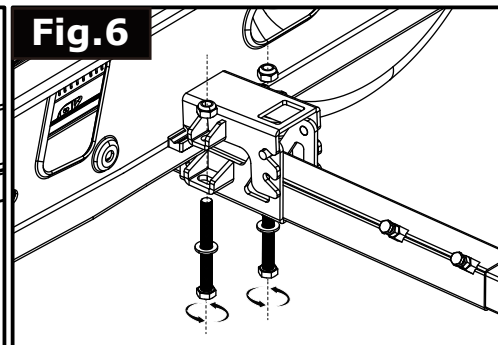
**Fig.4**



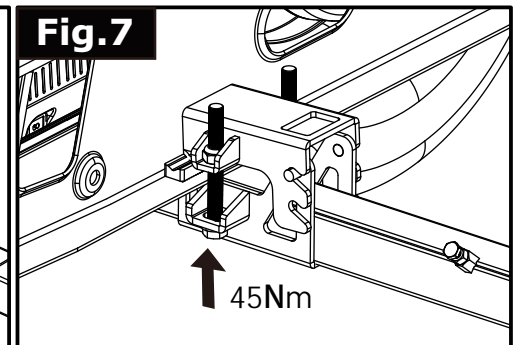
**Fig.5**



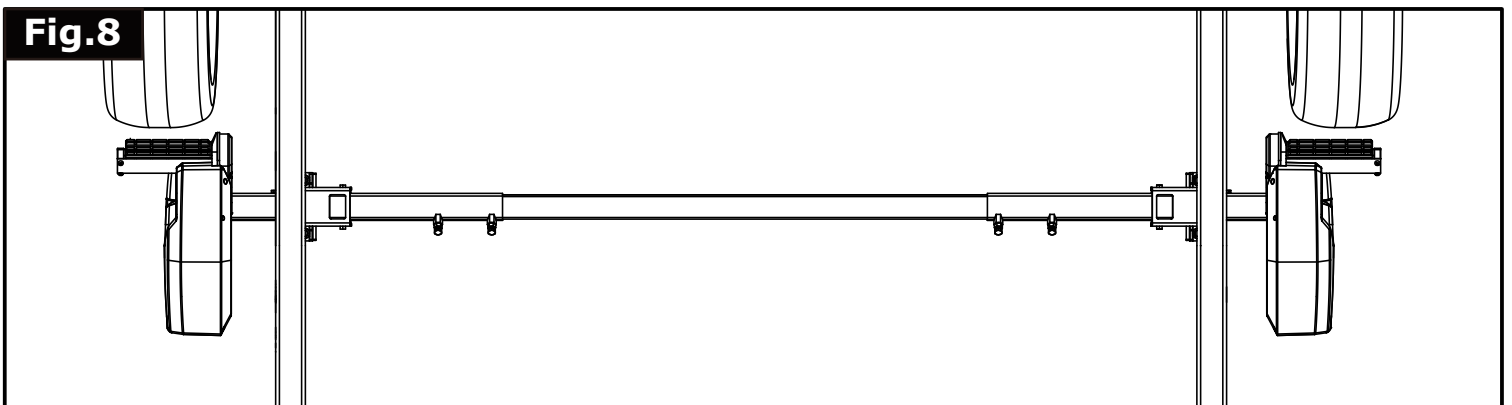
**Fig.6**



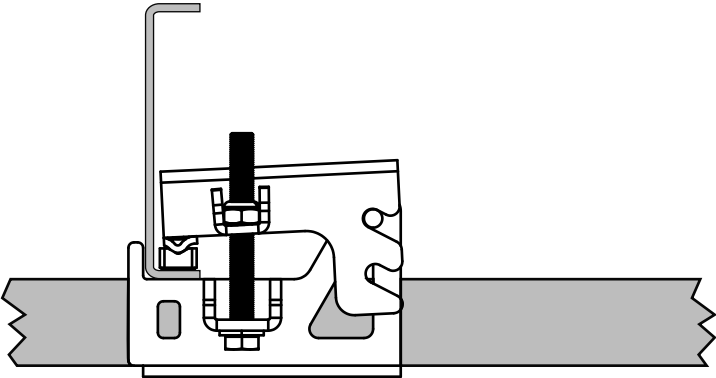
**Fig.7**



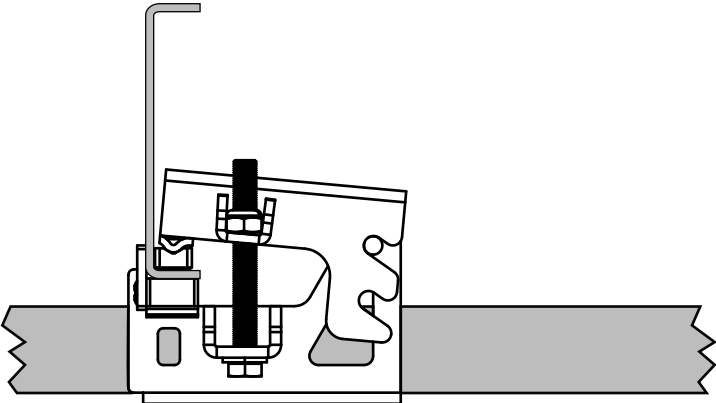
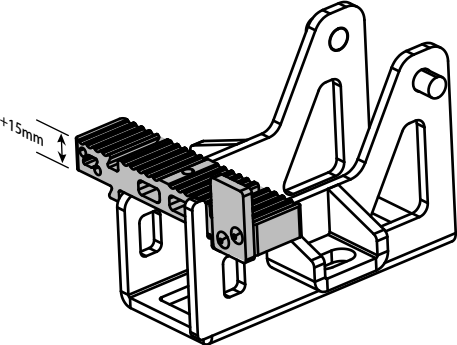
**Fig.8**



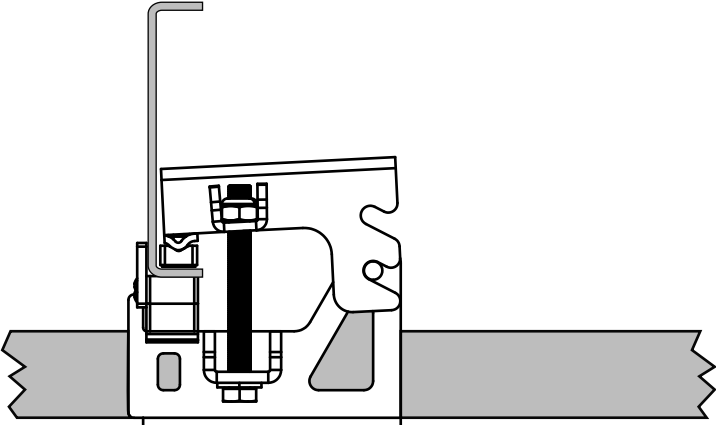
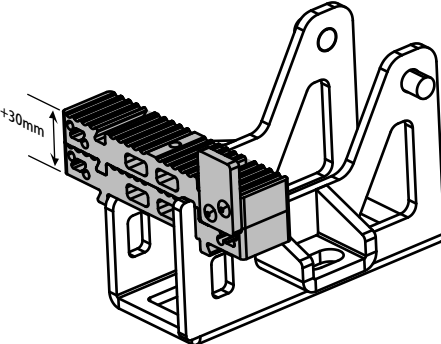
# Standaard montage



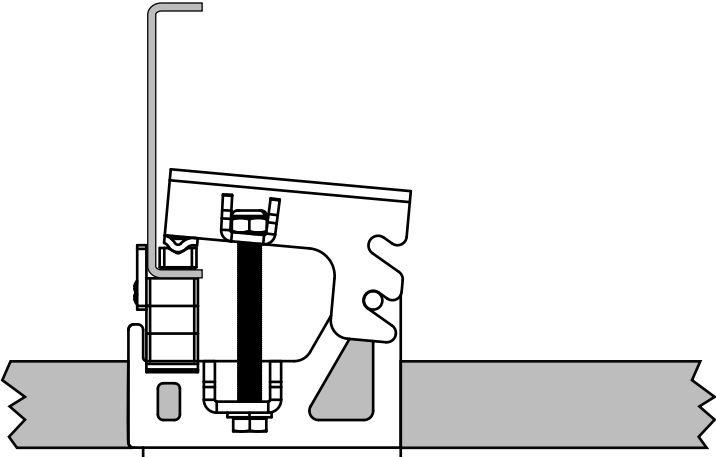
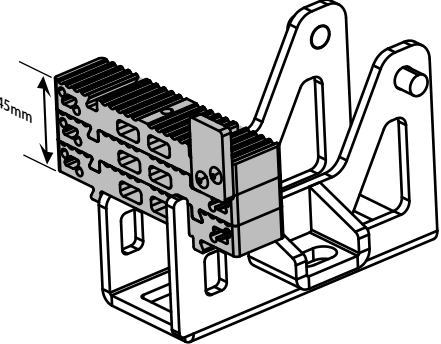
+15mm



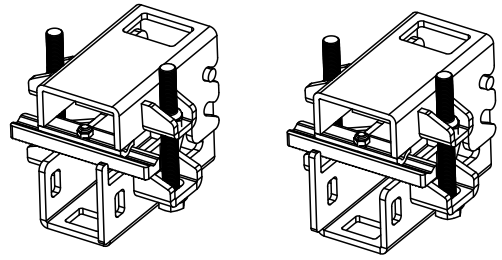
+30mm



+45mm

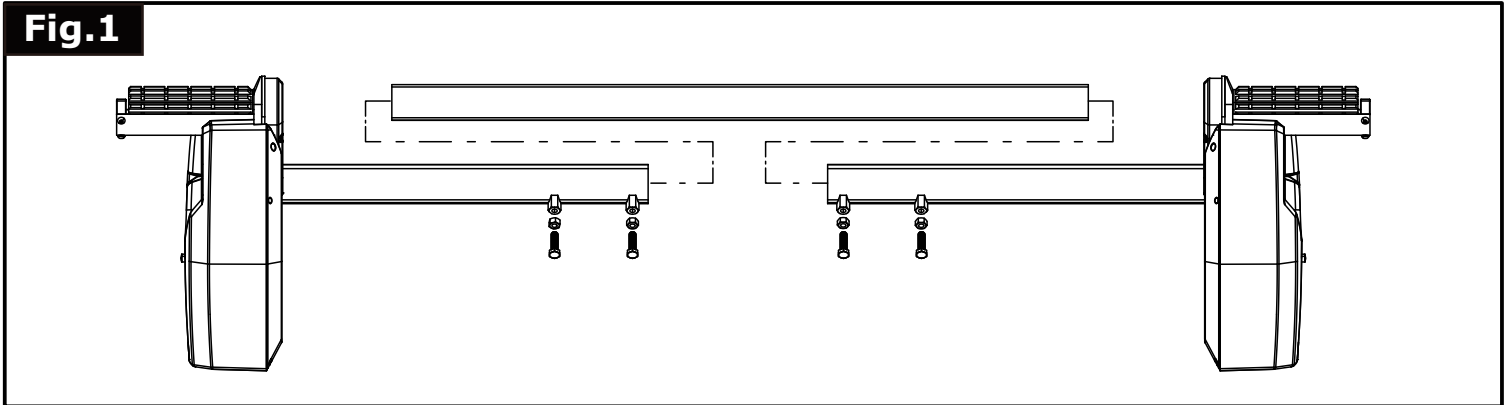


## EM Montageklemme Installation Anleitung

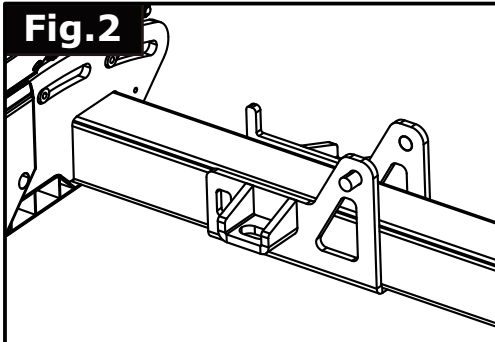


- Vom Chassis zugelassene Mindestdicke (Abmessungen): 2,5 mm

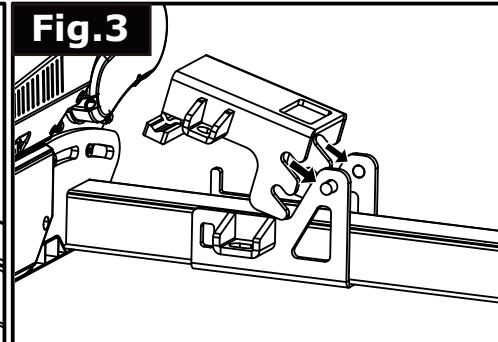
**Fig.1**



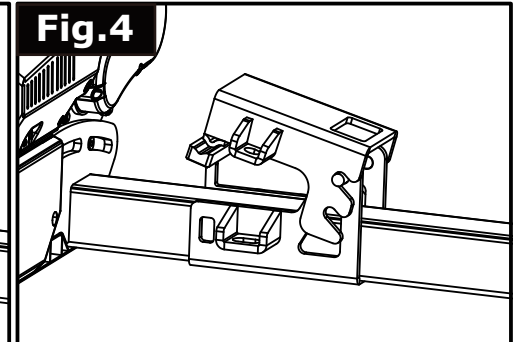
**Fig.2**



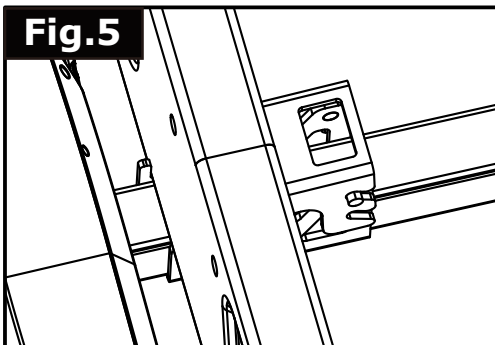
**Fig.3**



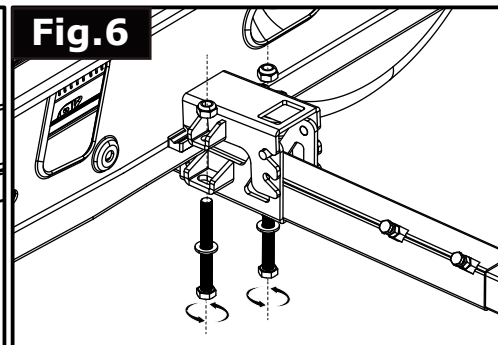
**Fig.4**



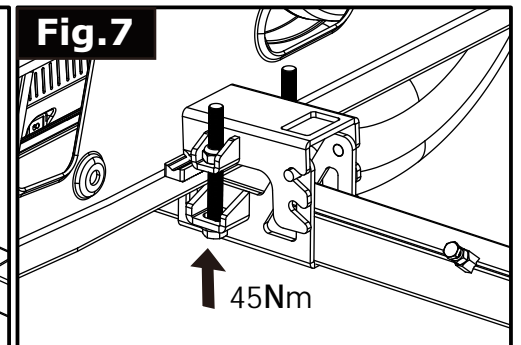
**Fig.5**



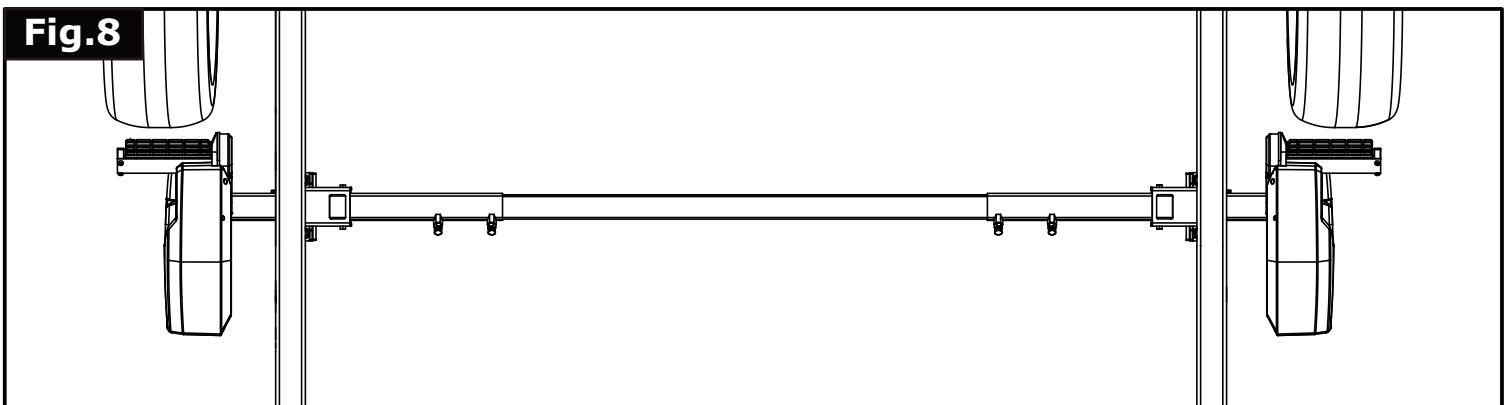
**Fig.6**



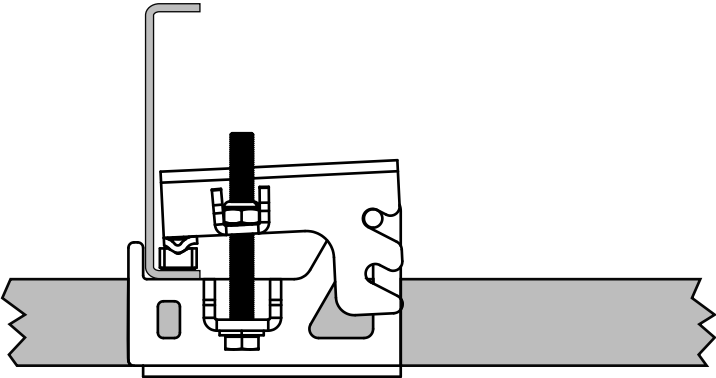
**Fig.7**



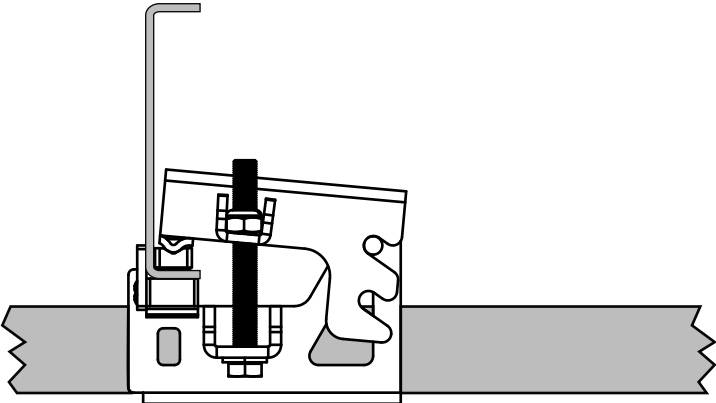
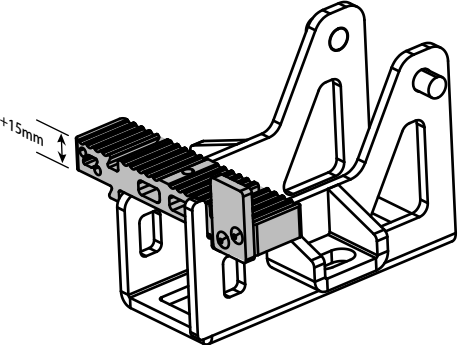
**Fig.8**



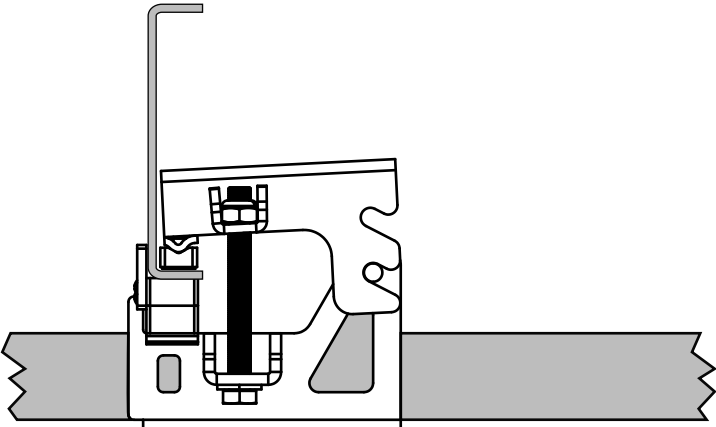
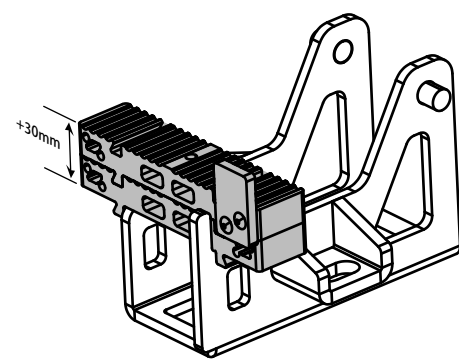
# Standardmontage



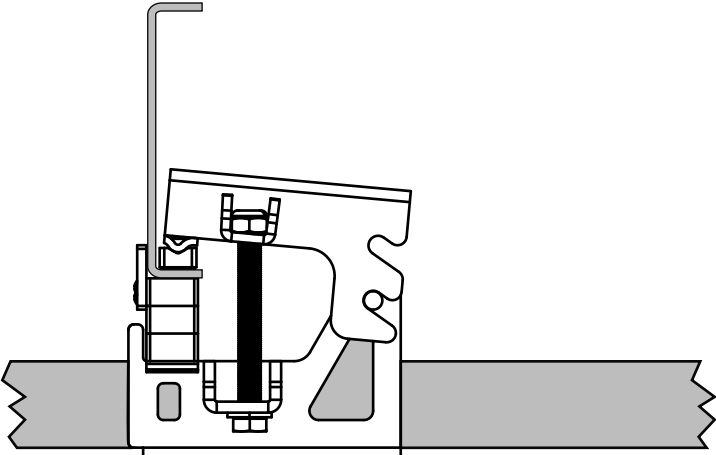
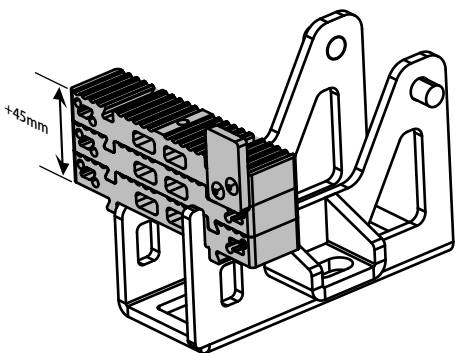
+15mm



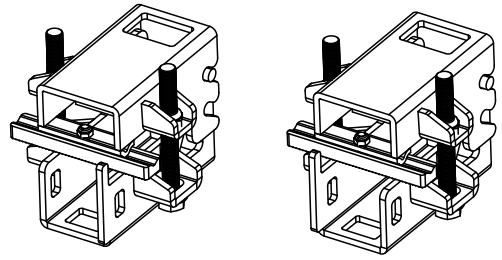
+30mm



+45mm

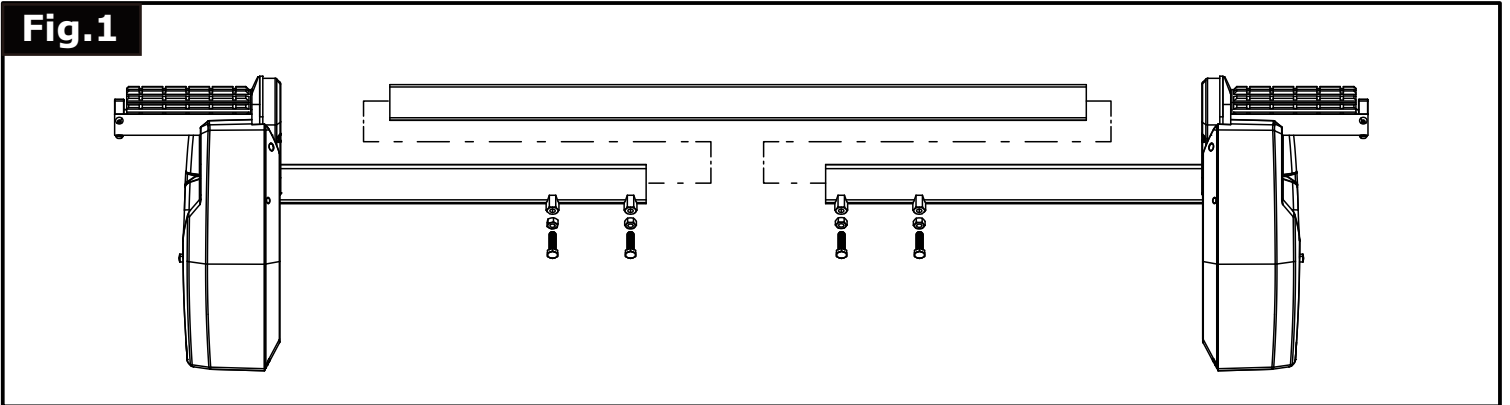


## EM Mounting Clamp Installation Manual

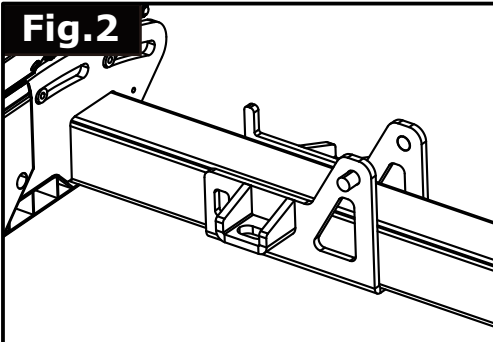


- Minimum thickness (dimensions) allowed by the chassis : 2.5mm

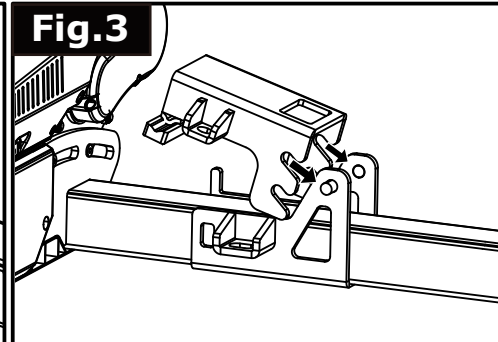
**Fig.1**



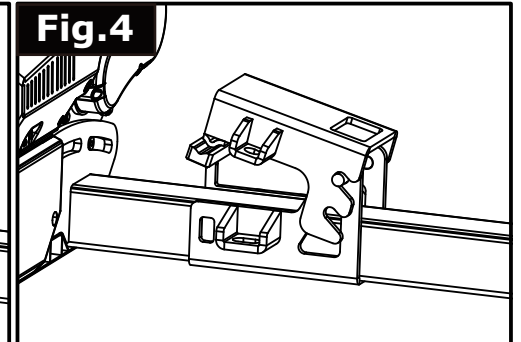
**Fig.2**



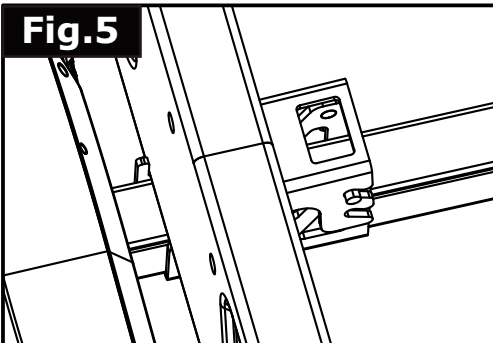
**Fig.3**



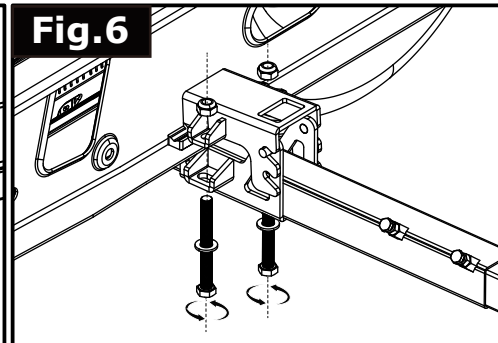
**Fig.4**



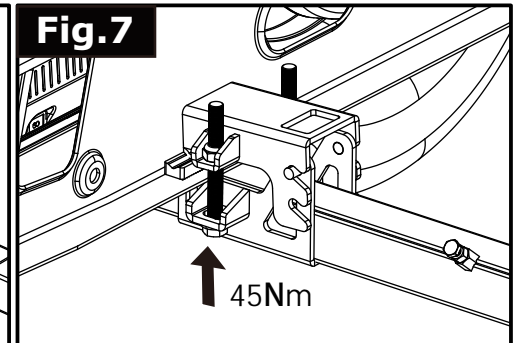
**Fig.5**



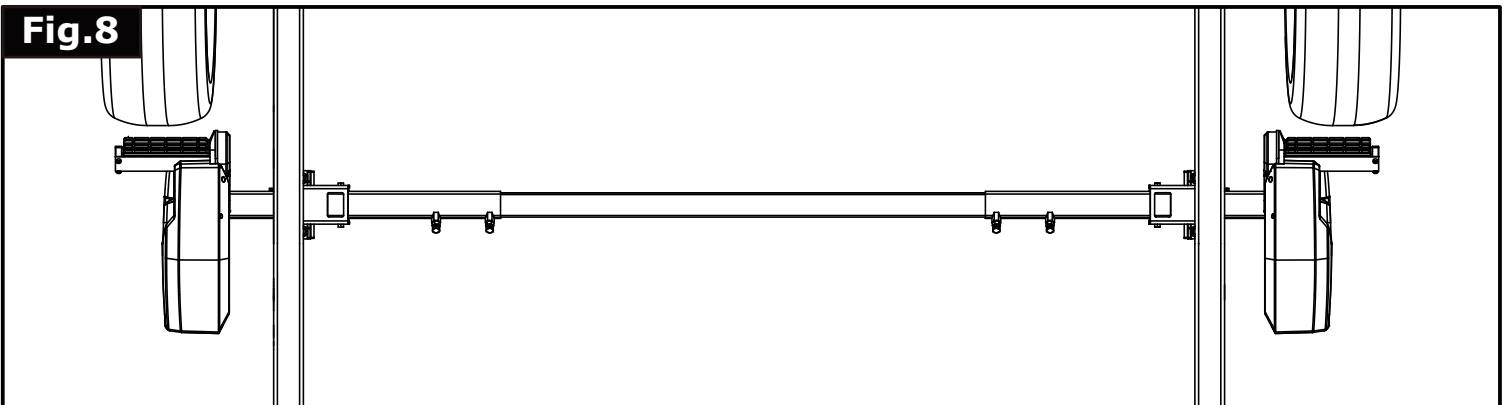
**Fig.6**



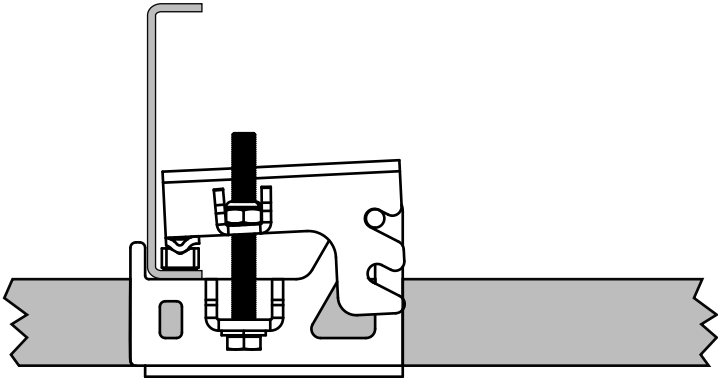
**Fig.7**



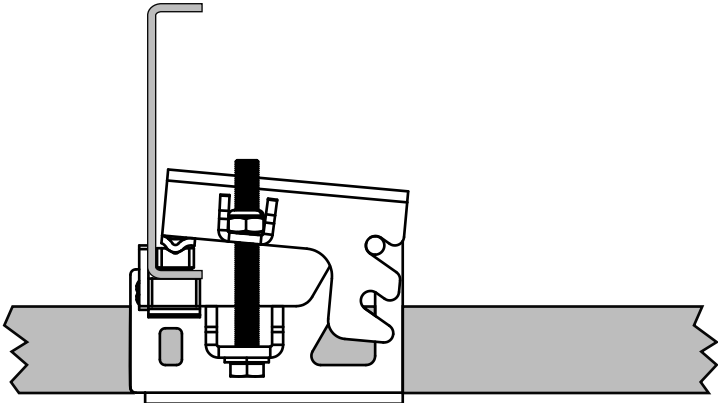
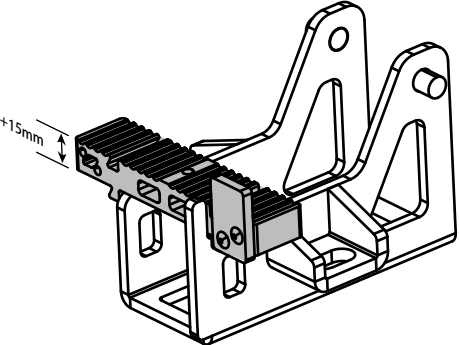
**Fig.8**



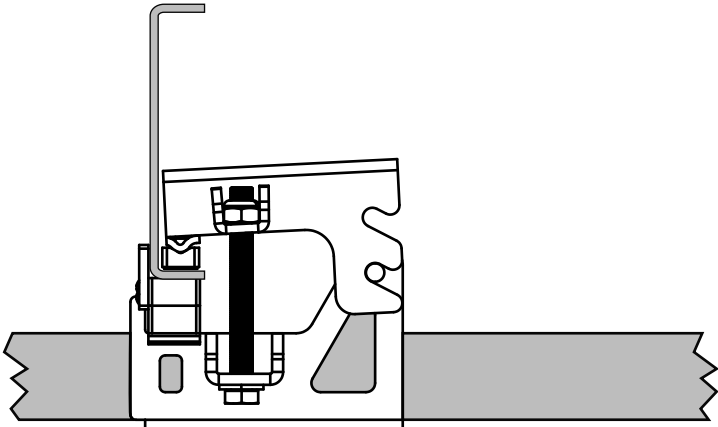
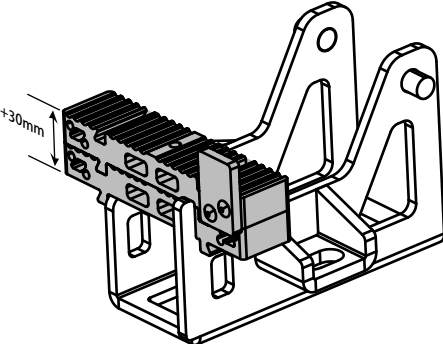
# Standard Mounting



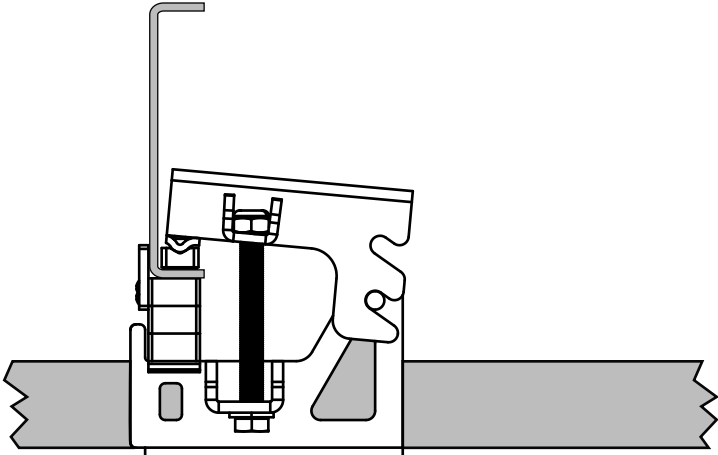
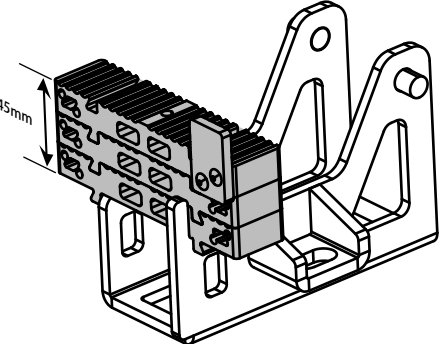
+15mm



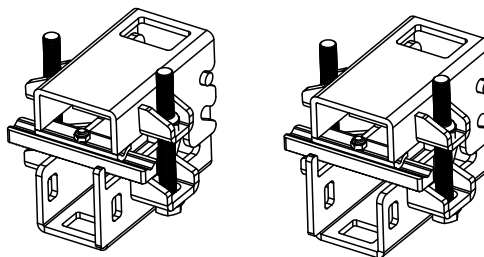
+30mm



+45mm

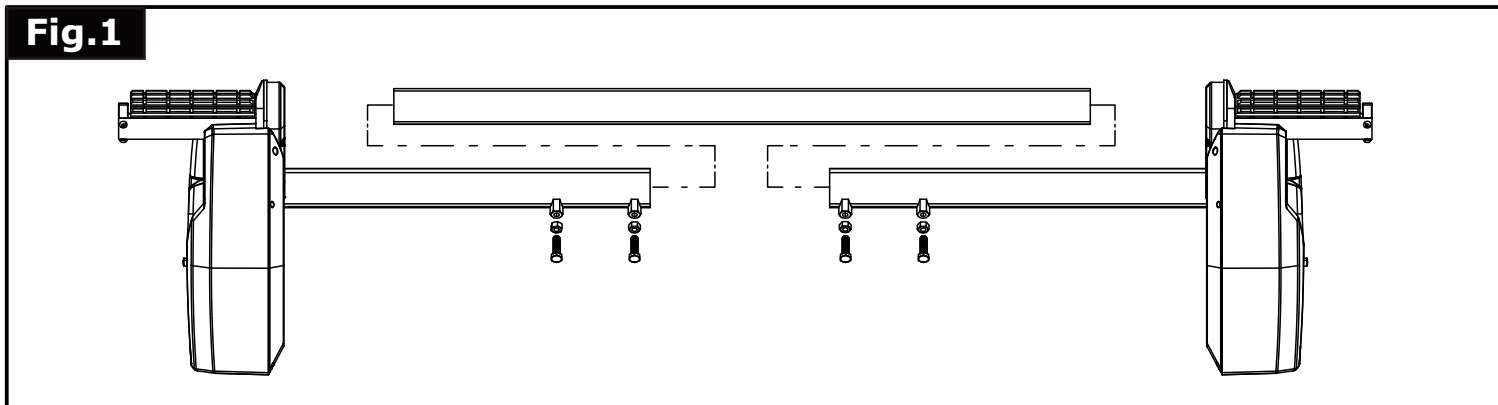


## EM Collier de Fixation Installation Manuel

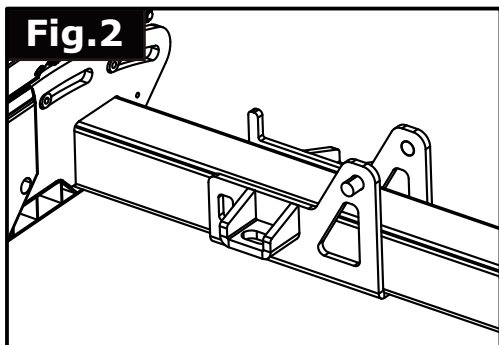


• Épaisseur (dimensions) minimale autorisée par le châssis : 2,5 mm

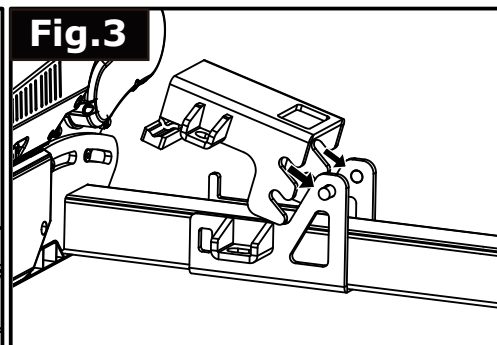
**Fig.1**



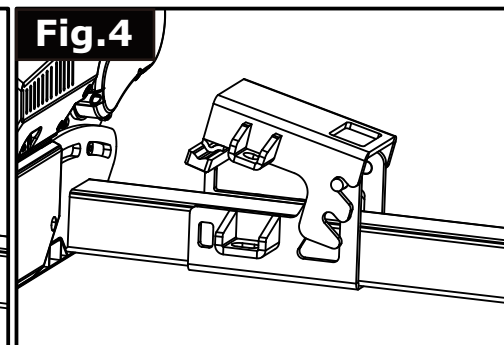
**Fig.2**



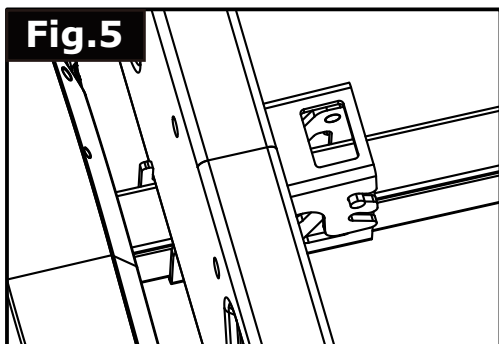
**Fig.3**



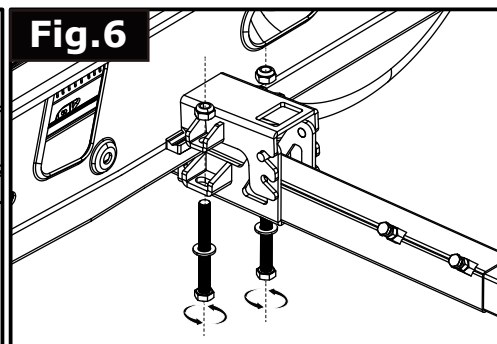
**Fig.4**



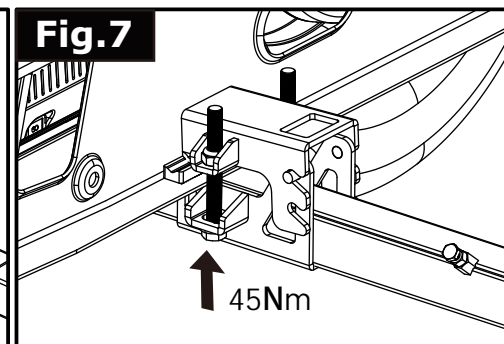
**Fig.5**



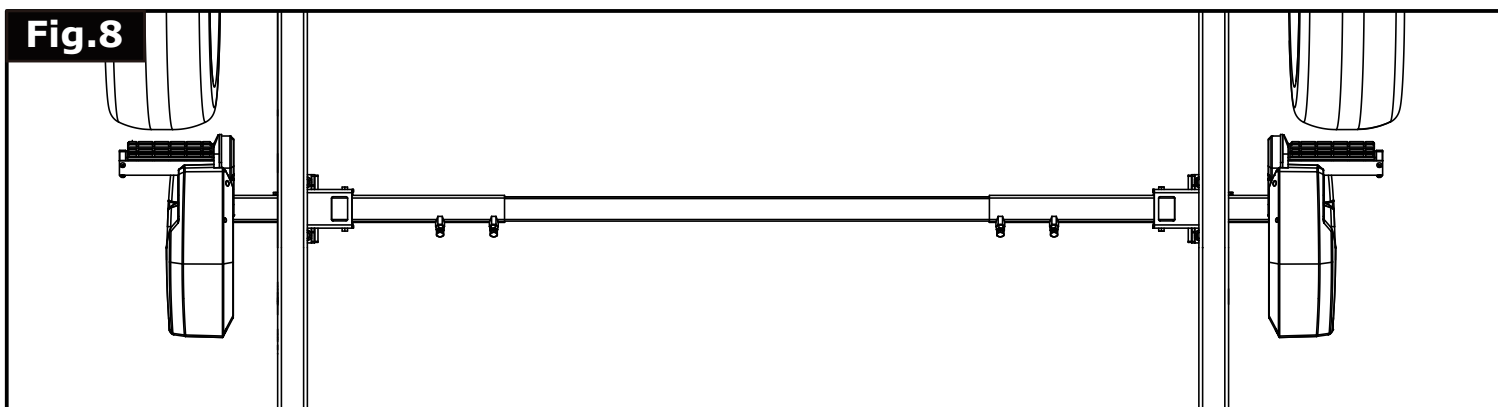
**Fig.6**



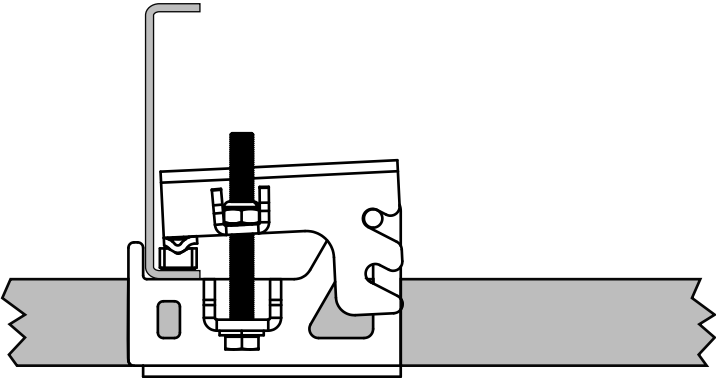
**Fig.7**



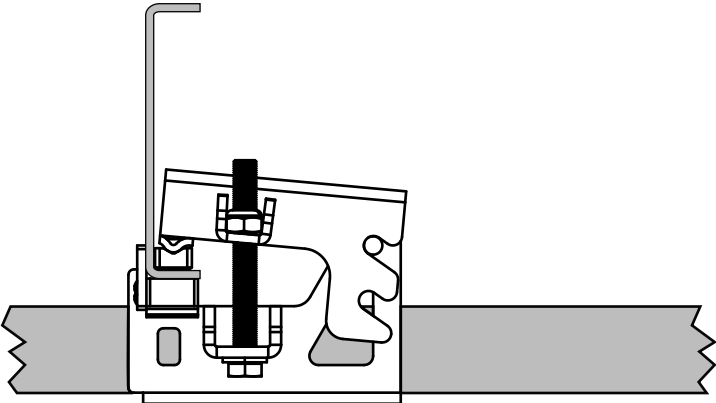
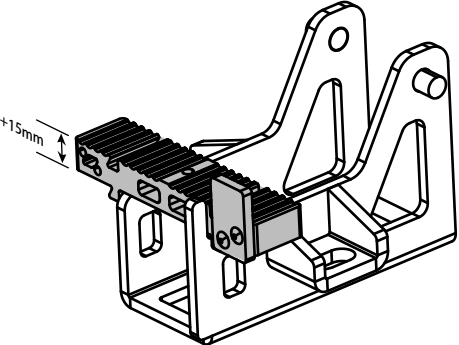
**Fig.8**



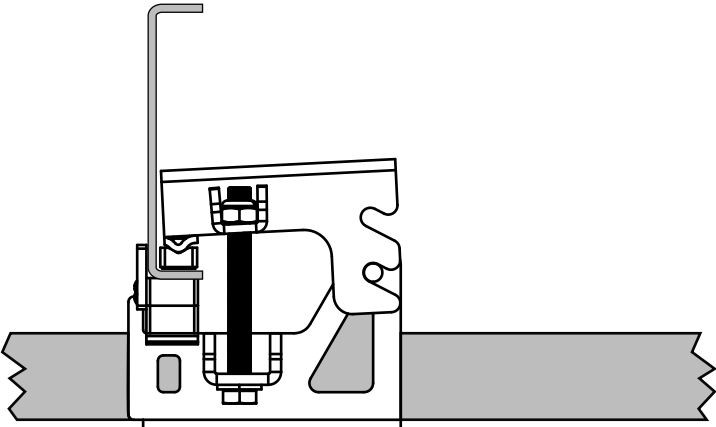
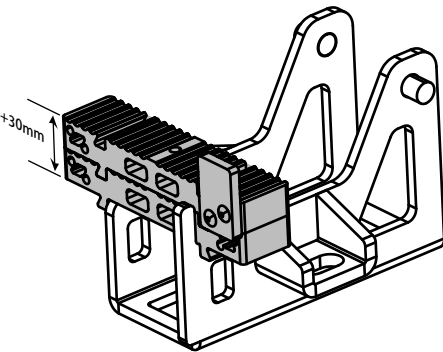
# Montage Standard



+15mm



+30mm



+45mm

